



PVC Waterstop with Punched Holes or Grommets

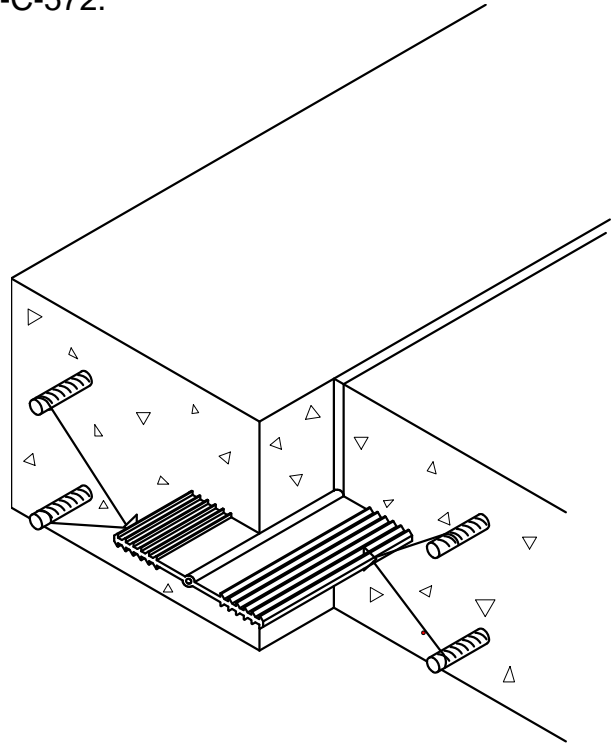


Punched Hole or Grommet Style PVC Waterstops simplify waterstop installation and promotes recommended practices to ensure proper positioning in the joint. Provided with factory applied Grommets

- Secures quickly and easily to adjacent reinforcing
- Saves time and labor
- Positions waterstop properly
- Stabilizes waterstop during concrete placement

Punched Hole or Grommet Style PVC Waterstops meet the Corps of Engineers Specification CRD-C-572.

Vinylex Punched Hole or Grommet Style PVC Waterstop is available in a variety of standard PVC shapes. Please contact Vinylex Waterstop & Accessories for a complete list or for further information.



VINYLEX WATERSTOP & ACCESSORIES

3400 Tree Court Ind. Blvd. St. Louis, MO 63122
800-325-3602 Fax 866-624-2049 www.VinylexWaterstop.com